



Introducing...

Fruitland RCF 870 Vacuum Pump

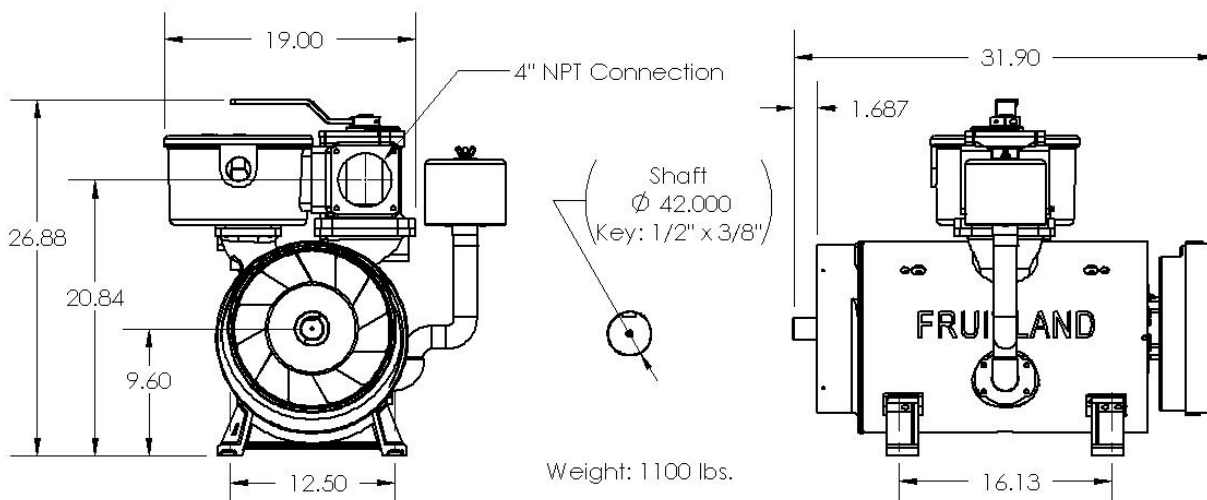


512 CFM

**Shown With Optional Stainless Steel Shroud*

- 4" Piping Configuration
- Integral Automated Lubrication System
- Low Oil Consumption
- CW or CCW Rotation
- Air Intake Filter
- Air Injection Cooling For Continuous High Vacuum Operation
- Belt, Direct, Hydraulic or Angle Drives
- Vane Wear Check Ports
- Top or Side Mount Configurations Available
- 2 Year Warranty

Fruitland RCF 870 Pump



RCF 870 General Specifications	
Free Air Flow	512 CFM
Maximum Vacuum/Pressure	28.5" Hg/30 PSI
Sizes of Hoses	4"
Maximum Operation Speed	1400RPM
Vanes	8
Air flow at 18" Hg	460 CFM
Approx. Weight	1100 lbs