

## 12" Portals | Non-Code

### FEATURES:

- Gasket on Lid Design
- Wingnut Closure (3)
- 5/8" Square Buna Gasket
- Available with following Neck materials:  
Carbon/Stainless Steel or Aluminum



Available with lube nuts  
See Accessories  
Section E - Fasteners

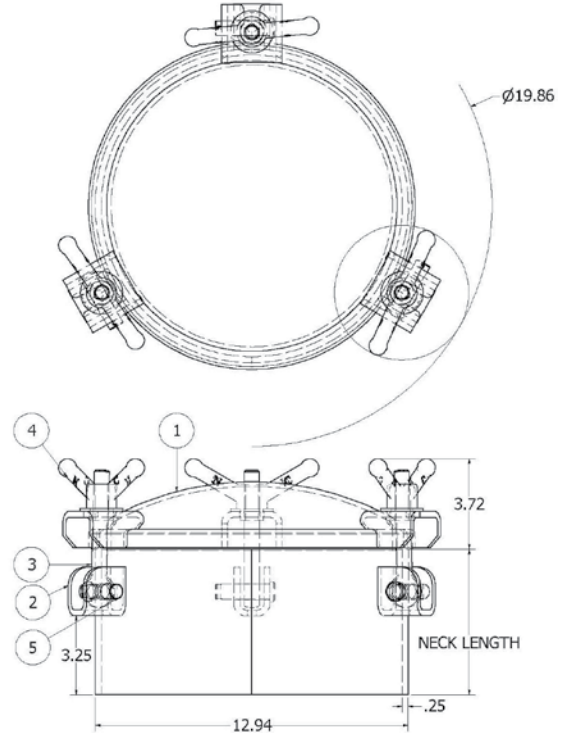


## 12" Portals - Non-Code | Parts List

PART NUMBER	LID	NECK	WEIGHT	PRICE
200-1206-C	12" CARBON STEEL	CARBON STEEL 6"	37 LBS	
200-1212-C	12" CARBON STEEL	CARBON STEEL 12"	53 LBS	
204-1206-A	12" POLISHED STAINLESS STEEL	ALUMINUM NECK 6"	21 LBS	
208-1206-S	12" STAINLESS STEEL	STAINLESS STEEL 6"	34 LBS	
208-1212-S	12" STAINLESS STEEL	STAINLESS STEEL 12"	52 LBS	

## 12" Portals - Non-Code | Replacement Parts

ITEM	PART NUMBER	DESCRIPTION
1	226-012	12" CARBON LID W/ GASKET
	226-120-1S	12" SS LID, UNPOLISHED W/ GASKET
	226-120-1SP	12" SS LID, POLISHED W/ GASKET
2	228-1206-1A	12" X 6" ALUMINUM NECK
	228-1206-C	12" X 6" CARBON NECK
	228-1206-S	12" X 6" STAINLESS NECK
	228-1212-C	12" X 12" CARBON NECK
3	284-351-1C	5" NONCODE EYEBOLT
	284-350-1CSP	4.5" SS CODE EYEBOLT
4	284-102-CP	CAST CARBON WINGNUT, PLATED
	284-100-CSP	STAINLESS LO-PRO WINGNUT, POLISHED
5	284-400-1C	CARBON CLEVIS PIN, NON-CODE
	284-400-1CS	STAINLESS CLEVIS PIN, CODE
*	280-704-S	COTTER PIN, 1/8-1.5" S.S.
	284-450-1CS	E-CLIP
**	286-706-12L	GASKET, 12" LID, BUNA



Genuine National Vacuum Equipment Products Proudly Distributed By Armstrong Equipment Inc.

800-699-7557