

## 12" Primary Shutoff

### FEATURES:

- 8" Corrosion Resistant Stainless Steel Ball Cage
- 6" Stainless Steel Float Ball
- 3" or 4" NPT Connection
- Wingnut Closure
- 5/8" Square Buna Gasket



Available with lube nuts  
See Accessories  
Section E - Fasteners

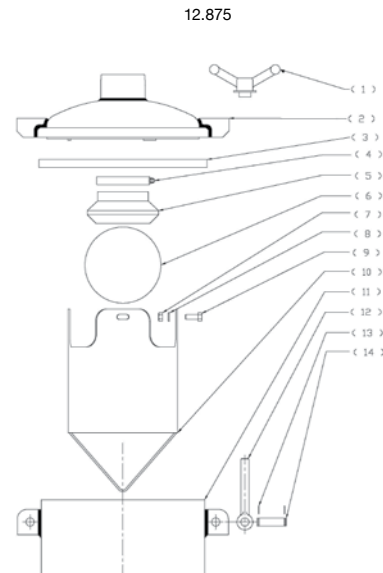
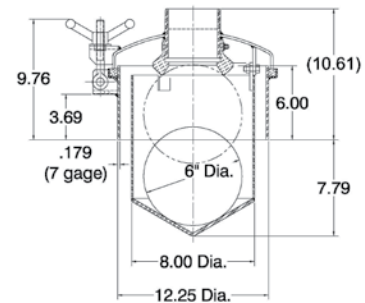


### 12" Primary Shutoff | Parts List

PART NUMBER	LID	NECK	WEIGHT	PRICE
200-1206-3NPT	12" CARBON STEEL, 3" NPT	CARBON STEEL 6"	45 LBS	
200-1206-4NPT	12" CARBON STEEL, 4" NPT	CARBON STEEL 6"	49.5 LBS	
200-1212-3NPT	12" CARBON STEEL, 3" NPT	CARBON STEEL 12"	61 LBS	
200-1212-4NPT	12" CARBON STEEL, 4" NPT	CARBON STEEL 12"	---	
208-1206-3NPT	12" STAINLESS STEEL, 3" NPT	STAINLESS STEEL 6"	43 LBS	

### 12" Primary Shutoff | Replacement Parts

ITEM	PART NUMBER	DESCRIPTION
1	284-102-CP	WINGNUT, CARBON, 5/8 UNC THREAD
	284-100-CSP	WINGNUT, SS PLATED, 5/8 UNC THREAD
2	226-012-300-C	12" CARBON STEEL LID, 3" NPT
	226-012-400-C	12" CARBON STEEL LID, 4" NPT
	226-120-300-S	12" STAINLESS STEEL LID, 3" NPT
3	286-706-12L	BUNA GASKET, 12" LID
4	416-300-1WC	CLAMP FOR 3" BALL SEAT
	416-400-1WC	CLAMP FOR 4" BALL SEAT
5	416-300-B	3" BUNA BALL SEAT
	416-400-B	4" BUNA BALL SEAT
6	414-600-SS	6" STAINLESS STEEL FLOAT BALL
7	SEE DESCRIPTION	3/8 SS HEX NUT
8	SEE DESCRIPTION	3/8 SS WASHER
9	SEE DESCRIPTION	3/8-13 X 1-1/4 LG 18-8 SS BOLT
10	282-800-1S	SS BALL CAGE, 8" 304 SS FOR CARBON AND NON CODE
	282-800-2S	SS BALL CAGE, 8" 304 SS FOR ASME CODE
11	228-1206-C	NECK, 6" CARBON STEEL
	228-1212-C	NECK, 12" CARBON STEEL
	228-1206-S	NECK, 6" STAINLESS STEEL
12	284-351-1C	EYEBOLT, NON-CODE, 5/8 UNC X 5" LG
	284-350-1CSP	EYEBOLT, CODE, 5/8 UNC X 4.5" LG SS
13	280-704-S	COTTER PIN, 1/8X1.5" SS
	284-450-1CS	E-CLIP
14	284-400-1C	CLEVIS PIN
	284-400-1CS	CLEVIS PIN, SS



Genuine National Vacuum Equipment Products Proudly Distributed By Armstrong Equipment Inc.

800-699-7557