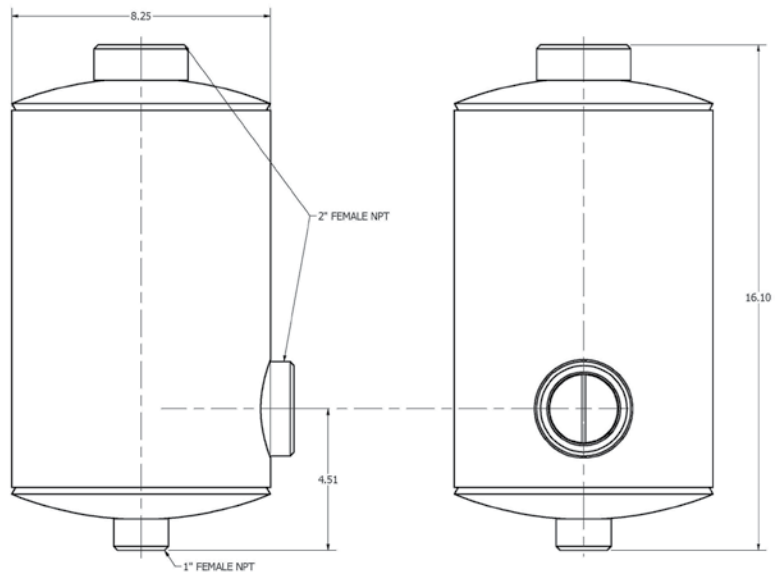


8" Aluminum Oil Catch Muffler | Vertical Orientation

** 8" Diameter - TO 250 CFM

FEATURES:

- Welded Closure
- Stainless Steel Filter
- Aluminum Tread plate Exterior
- 2" NPTF Ports



8" Oil Catch Mufflers Vertical Orientation | Parts List

PART NUMBER	DESCRIPTION	WEIGHT	PRICE
212-800-2FP-A	8" OIL CATCH MUFFLER W/ FILTER, 2" NPTF	12.55 LBS	

8" Oil Catch Mufflers Vertical Orientation | Replacement Parts

PART NUMBER	DESCRIPTION
288-100	1" BALL VALVE DRAIN

Genuine National Vacuum Equipment Products Proudly Distributed By *Armstrong Equipment Inc.*

800-699-7557