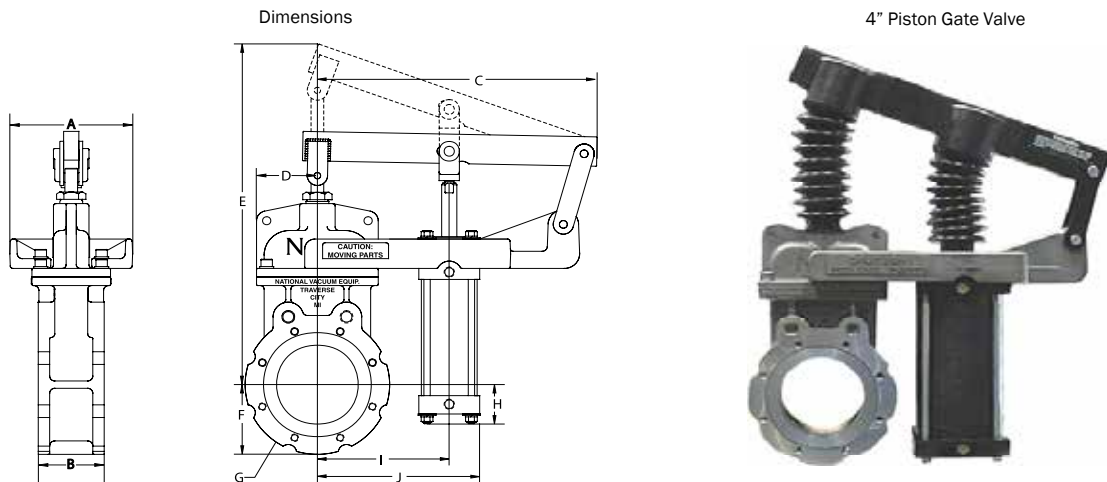


NVE Valves with Actuators | 2-Way Pneumatic or Hydraulic

- Valve Features:**
- Steel or Stainless Steel Body; Stainless Steel Stem, Seat, Gate and Guide are Standard; Viton Seals Standard; Viton O-Ring Seal on Seat; Other O-Ring Materials Available; Completely Re-buildable and Self-Cleaning; accepts TTMA and ANSI Flanges. MAWP 100 PSI; Burst Pressure greater than 400 PSI. Dual Gate version available for applications requiring horizontal mounting or with high contents of solids.
- Actuator:**
- Actuator Assembly features Stainless Steel Bracket and Fasteners;
 - Powder Coat Painted Parts; Self-Lubricating Cylinder; and Replaceable Seals.
 - Maximum Cylinder Operating Pressure 500 PSI.



NVE 2-Way Valve | Dimensions

| DESCRIPTION | A | B | C | D | E | F | G | H | I | J |
|-------------------------------|------|------|-------|------|-------|------|------|------|------|------|
| 4" PNEUMATIC - 2-WAY CYLINDER | 6.05 | 3.25 | 13.79 | 3.00 | 17.40 | 3.56 | 7.13 | 2.00 | 6.50 | 8.00 |
| 6" PNEUMATIC - 2-WAY CYLINDER | 6.30 | 4.00 | 15.67 | 4.50 | 23.33 | 4.50 | 9.00 | 0.06 | 7.75 | 9.25 |

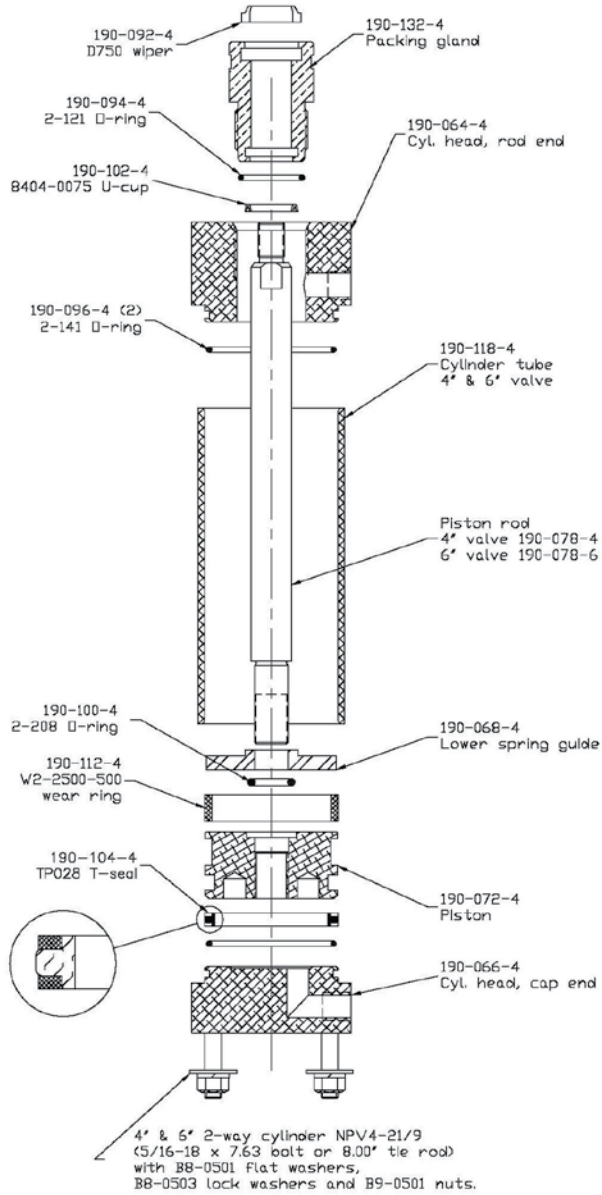
NVE Piston Gate Valve with 2-Way Pneumatic or Hydraulic Cylinder | Parts List

| PART NUMBER | DESCRIPTION | WEIGHT | PRICE |
|-------------|---|--------|-------|
| 180-4C3 | 4" NVE VALVE - CARBON STEEL - 2-WAY CYLINDER | 50 | |
| 180-4S3 | 4" NVE VALVE - STAINLESS STEEL - 2-WAY CYLINDER | --- | |
| 180-6C3 | 6" NVE VALVE - CARBON STEEL - 2-WAY CYLINDER | 92 | |
| 180-6S3 | 6" NVE VALVE - STAINLESS STEEL - 2-WAY CYLINDER | 70 | |

Genuine National Vacuum Equipment Products Proudly Distributed By *Armstrong Equipment Inc.*

800-699-7557

NVE Valves with Actuators | 2-Way Pneumatic / Hydraulic



NVE Valves with Actuators 2-Way Pneumatic/Hydraulic | Parts List

| PART NUMBER | DESCRIPTION | WEIGHT | PRICE |
|-------------|---|--------|-------|
| 190-116 | CYLINDER ASSEMBLY - 4" NPV, 2 WAY HYDRAULIC | 6.35 | |
| 190-116-6 | CYLINDER ASSEMBLY - 6" NPV, 2 WAY HYDRAULIC | --- | |

Genuine National Vacuum Equipment Products Proudly Distributed By *Armstrong Equipment Inc.*

800-699-7557