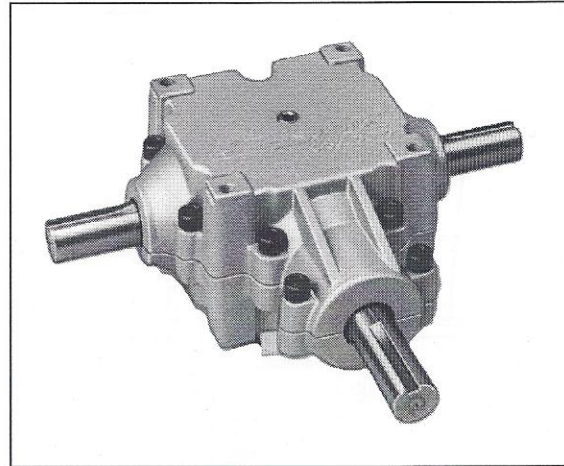


Industrial 200 Series



Industrial 200 Series

Uses for the Industrial model 200 include:
 Special industrial machinery, conveyors, packaging machinery, food products machinery, and many other industrial applications.
 Call Superior's experienced Sales and Engineering staff for help in selecting gear drives for any industrial application.



RATING CHART

RATIO	RPM							
	100		540		1000		1750	
	HP	TORQUE	HP	TORQUE	HP	TORQUE	HP	TORQUE
1 - 1	1.79	1129	8.05	940	13.94	879	23.02	829
1.35 - 1	1.26	794	5.70	666	9.90	624	16.29	587
1 - 1.35	1.58	996	7.10	829	12.34	778	20.30	731
1.5 - 1	1.18	744	5.31	620	9.19	579	15.15	546
1 - 1.5	1.81	1141	8.17	954	14.13	891	23.32	840
2 - 1	0.86	542	3.89	454	6.75	426	11.14	401
PRECISION FORGED SPIRAL BEVEL GEARSET								
1 - 1	1.55	977	7.02	820	12.15	766	20.07	723

INCHES X 25.4 = MM INPUT TORQUE measured in inch pounds.

NOTE: START-UP TORQUE - The use of PRECISION FORGED GEARS gives the Superior Gearbox extremely high stall or start-up torque capacity. Please see "WHY PRECISION FORGED GEARS" in the Engineering section of our Catalog.

SERVICE FACTORS

CHARACTER OF SHOCK DRIVEN MACHINE	CHARACTER OF POWER SOURCE SHOCK LOAD											
	ELECTRIC MOTOR UNIFORM				MULTI CYLINDER ENGINE LIGHT SHOCK				SINGLE CYLINDER ENGINE MEDIUM SHOCK			
	DURATION OF SERVICE (HOURS PER DAY)											
	.5	3	10	24	.5	3	10	24	.5	3	10	24
UNIFORM	0.60	0.80	1.00**	1.25	0.80	1.00	1.25	1.50	1.0	1.25	1.50	1.75
MODERATE	0.80	1.00	1.25	1.50	1.00	1.25	1.50	1.75	1.25	1.50	1.75	2.00
HEAVY	1.25	1.50	1.75	2.00	1.50	1.75	2.00	2.25	1.50	1.75	2.25	2.50

*Divide the horse power rating by the service factor to obtain the design horsepower.
 **AGMA Class 1 Service

LIMITATIONS ON HORSEPOWER AND TORQUE RATINGS The horsepower and torque ratings given here are generalizations. The different conditions for various applications may result in higher or lower horsepower capacities. Under certain conditions the maximum indicated rpm may be exceeded. For these reasons the ratings can not be guaranteed for any application. Prototype testing should be conducted for each application before production.

SUPERIOR GEARBOX COMPANY
 Phone 417-276-5191

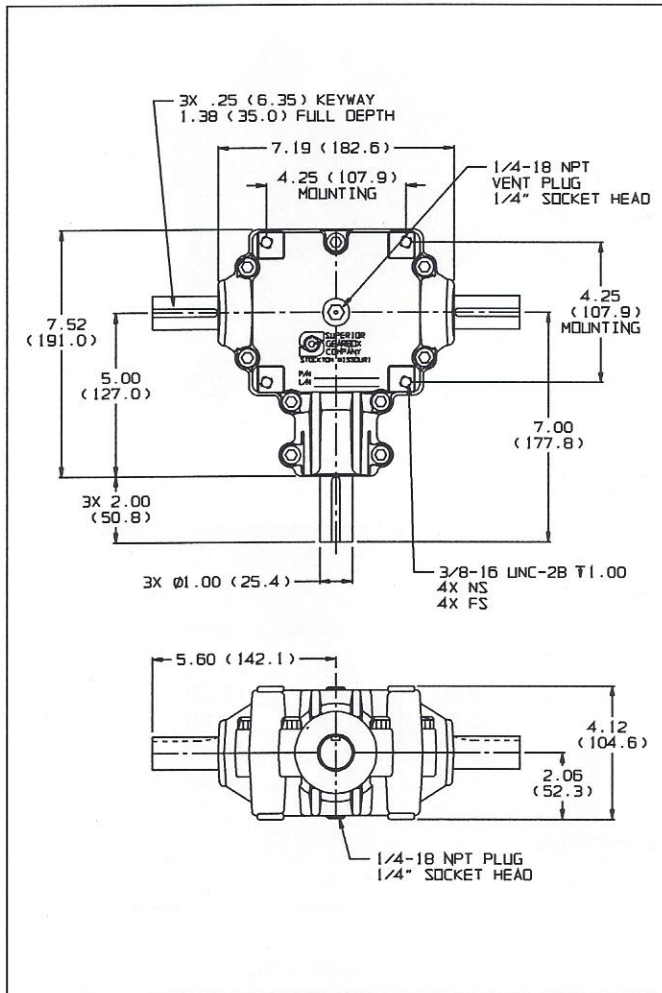
P.O. Box 645
 Sales 1-800-346-5745

STOCKTON, MISSOURI 65785
 Fax 417-276-3492

072000
 Ind200a



Industrial 200 Series



FEATURES

Two piece aluminum housing for high strength, corrosion resistance, and thermal capacity. Precision machined for exact gear mesh and bearing preload. Precision Forged gears in the Model 200 are offered in several ratios starting with 1 - 1. 2-1 pinion gear and shaft are forged in one piece for increased strength. 1" diameter shafting standard. Tapered roller bearings are used exclusively and are computer sized to assure proper capacity. All Superior gearboxes are filled with proper amount of EP 80/90 gear lubricant and leak tested before shipment. Special lubricants can be supplied. The 200 series gearbox weighs approximately 15 lbs. including 14 oz. of lubricant.

SHAFT ARRANGEMENT AND ROTATION

