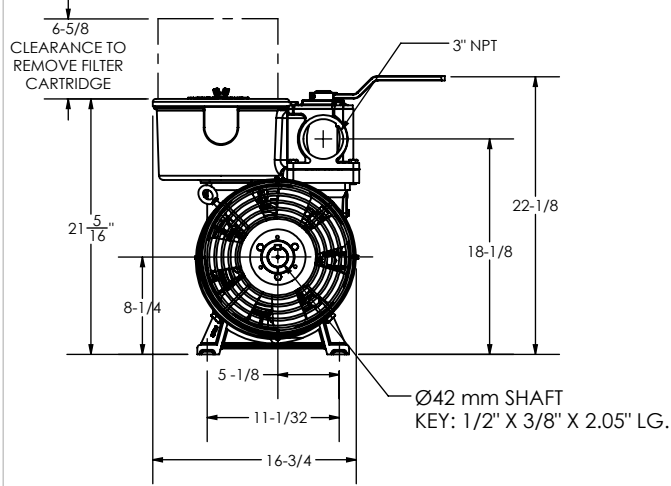
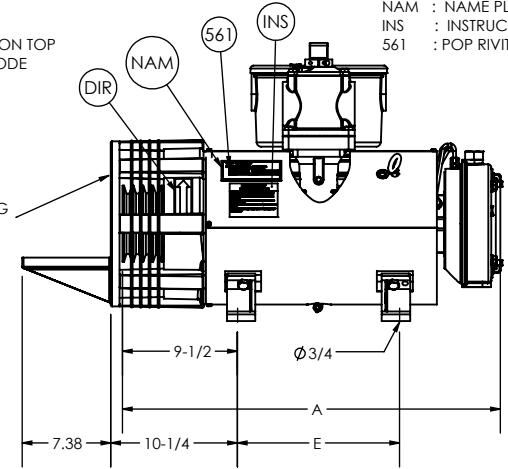


# RCF 370LUF & 500LUF (RCF 370LUFH & 500LUFH) (RCF 370LUFA & 500LUFA)

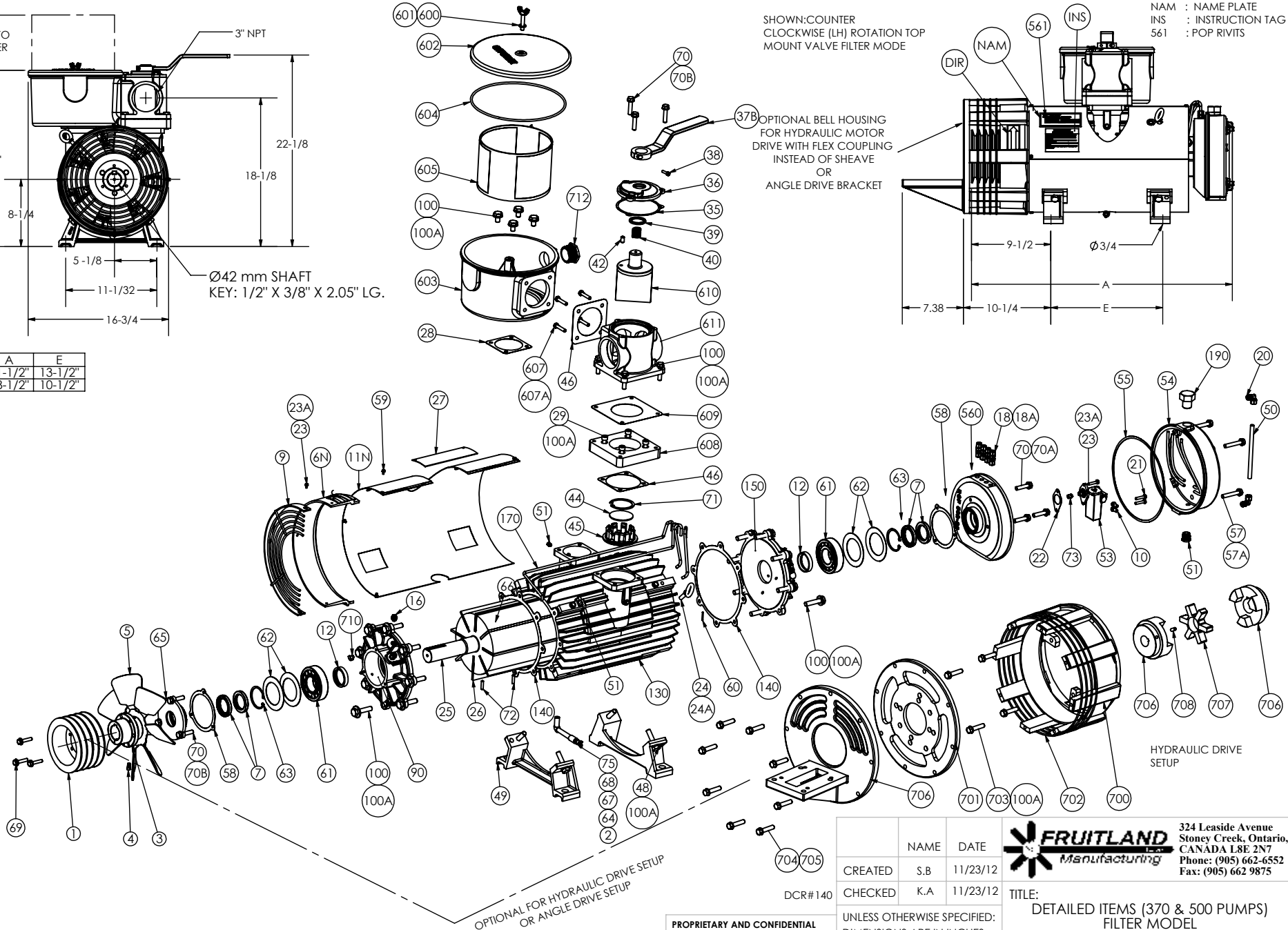
DIR : DIRECTION TAG  
 NAM : NAME PLATE  
 INS : INSTRUCTION TAG  
 561 : POP RIVETS



SHOWN: COUNTER  
 CLOCKWISE (LH) ROTATION TOP  
 MOUNT VALVE FILTER MODE



	A	E
RCF500F	31-1/2"	13-1/2"
RCF370F	28-1/2"	10-1/2"



37B OPTIONAL BELL HOUSING FOR HYDRAULIC MOTOR DRIVE WITH FLEX COUPLING INSTEAD OF SHEAVE OR ANGLE DRIVE BRACKET

HYDRAULIC DRIVE SETUP

IMPORTANT : WHEN ORDERING SPARE PARTS ALWAYS STATE MODEL AND SERIAL NUMBER OF PUMP

ON UPRIGHT PUMPS NO SPRING (IT. 47) IS USED IN THE BACK VALVE ASSY.

**PROPRIETARY AND CONFIDENTIAL**  
 THE INFORMATION CONTAINED IN THIS DRAWING IS THE SOLE PROPERTY OF FRUITLAND MANUFACTURING. ANY REPRODUCTION IN PART OR AS A WHOLE WITHOUT THE WRITTEN PERMISSION OF FRUITLAND MFG. IS PROHIBITED.

	NAME	DATE
CREATED	S.B	11/23/12
CHECKED	K.A	11/23/12

**FRUITLAND** Manufacturing  
 324 Leaside Avenue  
 Stoney Creek, Ontario,  
 CANADA L8E 2N7  
 Phone: (905) 662-6552  
 Fax: (905) 662 9875

TITLE: DETAILED ITEMS (370 & 500 PUMPS) FILTER MODEL	
DWG. NO.	RCF370F-78A RCF500F-78A
REV	3

DCR# 484 REV 3-ADDED ANGLE DRIVE BRACKET # 706, UPDATED HEADING

UNLESS OTHERWISE SPECIFIED:  
 DIMENSIONS ARE IN INCHES  
 TOLERANCES:  
 FRACTIONAL OR .X = ±.015  
 .XX = ±.010  
 .XXX = ±.005

MATERIAL	--	SCALE: 1:48	WEIGHT:--	SHEET 1 OF 1
----------	----	-------------	-----------	--------------

**RCF 500 LUFH ITEM NUMBERS**

<b>ITEM #</b>	<b>PART NAME</b>	<b>DESCRIPTION</b>	<b>QTY PER PUMP</b>
2	RF500-82A	DRAIN COCK - 1/4"	1
4	RF500-48B	5/16"NF X 7/8"LG.SHCS PLAIN	1
5	RF500-33L *	FAN ASSY - L.H.	2
7	RF500-225A	SEAL (1 PC.)	4
9	RF500-30	FAN GUARD	1
11N	RF500-46U *	HOUSING SHROUD - TOP VALVE	1
12	RF500-8	COLLAR ( FINISH GRIND)	2
16	RF500-50A	CONNECTOR (FOR 1/4" TUBE)	4
18	RF500-52A	BULKHEAD FITTING (77-4)	4
18A	U-SEAL	U-SEAL (OILTANK BULKHEAD)	4
20	RF500-32A	ELBOW FITTING	2
22	RF500-27	GASKET - OIL PUMP	1
23	RF500-28A	HEX BOLT M6 X 16MM	6
23A	RF500-280A	LOCKWASHER M6	9
24	RF500-37A	EYEBOLT	2
24A	RF500-137A	M10 HEX NUT - Z.P.	2
25	RF500-4	500 ROTOR ASSEMBLY	1
26	RF500-6A	VANES	8
27	RF500-47	PLATE (7.5" X 3.4") SHROUD PLATE	1
28	RF500-55	GASKET - INLET	1
29	RF500-56A	S.H.C.S. M10 X 30	4
34	RF500-59A	HEX BOLT M10 X 25MM - PLAIN	8
35	RF500-60	GASKET - VALVE CAP	1
36	RF500-12	VALVE CAP	1
37B	RF500-13F	LEVER ASSEMBLY-FILTER PUMP	1
39	RF500-62A	SEAL { 35 X 47 X 7 BUNA N }	1
40	RF500-14A	DIVERTER VANE SPRING	1
42	RF500-64A	SPLIT PIN 5/16"X1-1/4"	1
45	RF500-17C	VALVE SEAT	1
46	RF500-65	GASKET - OUTLET	2
47	RF500-66A	BACK-UP VALVE SPRING	1
48	RF120-48A	HEX BOLT M10 X 40MM - PLAIN	4
49	RF500-9	BASE	2
50	RF500-25A	SIGHT HOSE	1
51	RF500-69A	PIPE PLUG 1/4" NPT BLK SQ.HD.	7
53	RF500-29 *	OIL PUMP	1
54	RF500-23	500 OIL PUMP COVER	1
55	RF500-26	GASKET - PUMP COVER	1
57	RF500-24A	HEX BOLT M8 X 90MM - PLAIN	4
57A	RF500-221A	ALUM. FLAT WASHER	7
58	RF500-70	GASKET - SEAL HOUSING	2
59	RF500-71A	SELF DRILLING SCREW # 6	8
60	RF500-72A	ROLL PIN 5/32 X 1-1/4	1
61	RF500-19A	ROLLER BEARING	2
62	RF500-20A	BEVEL SPRING	4
63	RF500-35A	SNAP - RING (INTR RING 2-3/8)	2

**RCF 500 LUFH ITEM NUMBERS CONTINUED**

<b>ITEM #</b>	<b>PART NAME</b>	<b>DESCRIPTION</b>	<b>QTY PER PUMP</b>
64	RF250-73A	BLK. MAL.PIPE COUPLING-1/4"	1
65	RF500-15	SMALL SEAL HOUSING	1
66	RF500-74	KEY 3/8" x 1/2" x 12'	1
67	A270-3	NIPPLE 1/4" NPT x 3-1/2 STD. BLK	1
68	A270-40	1/4" NPT FEM.90 BLK MAL ELBOW	1
70	RF500-48A	HEX BOLT M8 x 25	9
70B/607A	RF120-96A	M8 LOCKWASHER	10
71	RF500-78A	SNAP - RING (INTR RING 2-5/8)	1
72	RF500-72B	ROLL PIN 1/4 X 3	1
74	RF500-81	VANE WEAR TEST ROD	1
75	A270-5	1/4" NPT X 1-1/2 NIPPLE	1
100	RF500-67A	M10 X 30MM HEX BOLT	20
100A/705	RF120-94A	10MM LOCK WASHER - Z.P.	32
130	RF500-1	500 HOUSING	1
140	RF500-140	GASKET HOUSING CAP	2
150	RF250-3	HOUSING END CAP	2
170	RF500-51A *	OIL LINE SET FOR 500 PUMPS	1
190	RF500-190	BREATHER FILLER	1
560	RF500-22 *	SEAL HOUSING - LARGE	1
561	RF800-002	ALUMINUM POPRIVETS 1/8X1/8	12
600	RF500-F00	TEE BOLT (FULL THREAD) S.S.	1
601	RF500-F01	C.WASHER	1
602	RF500-FL	FILTER BOX LID	1
603	RF500-FB	FILTER BOX	1
604	RF500-04	'O' RING # 378	1
605	RF500-FC	ST.ST. FILTER CARTRIDGE	1
607	RF500-F07	HEX BOLT M8 X 30MM	4
608	RF502-TP	TRANSITION PLATE	1
609	RF500-65F	GASKET TRANS. PLATE	1
610	RF500-10F	DIVERTER VANE - FILTER	1
611	RF500-11F	DIVERTER HOUSING	1
700	RF500-BH	HYD. DRIVE BELL HOUSING	1
701	RF500-MP	MOUNTING PLATE	1
702	RF500-GR	GUARD RINGS (1 PCS.)	4
703	RF500-703	HEX BOLT M10 X 50MM - PLAIN	4
710	RF250-69A	PIPE PLUG 1/8" NPT BLK SQ.HD.	4

**\*Specify Pump Rotation "L" or "R"**