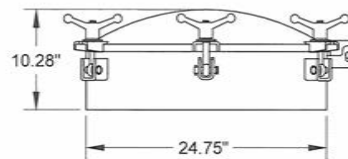
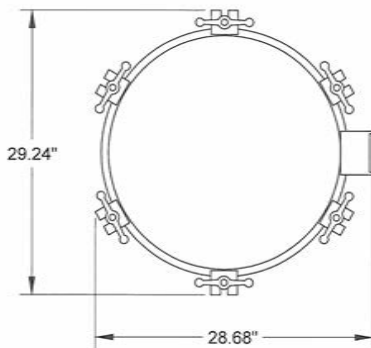


25" Manway (5 or 6 Wingnut)

Part #	Description
1010-8000	25" Manway With 6" Neck, 6 Wing Nut Lid - 1/4" Base (Gasket in Lid)
1010-8100	25" Manway With 6" Neck, 6 Wing Nut Lid - 1/4" Base Type 304 Stainless Steel (Gasket in Lid)
1010-0084	25" Manway With 12" Neck, 6 Wing Nut Lid - 1/4" Base (Gasket in Lid)
1010-8200	25" Manway With 6" Neck, 5 Wing Nut Lid, <b>Left Hand Hinge</b> - 1/4" Base (Gasket in Lid)
1010-0085	25" Manway With 12" Neck, 5 Wing Nut Lid, <b>Left Hand Hinge</b> - 1/4" Base (Gasket in Lid)



36" Aluminum Manway (8 Wingnut)

Part #	Description
1012-0000	36" Manway With 6" Neck, 8 Wing Nut Lid, 1/4" Base (Gasket in Neck)
1012-0000-304	36" Manway With 6" Neck, 8 Wing Nut Lid, 1/4" Base Type 304 Stainless Steel (Gasket in Neck)
1013-0000	36" Manway With 12" Neck, 8 Wing Nut Lid, 1/4" Base (Gasket in Neck)
1013-0000-304	36" Manway With 12" Neck, 8 Wing Nut Lid, 1/4" Base Type 304 Stainless Steel (Gasket in Neck)

