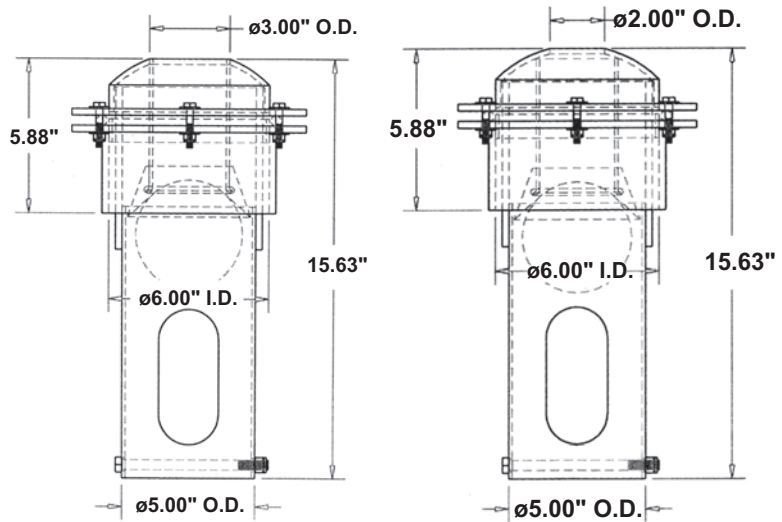


# Primary Shutoffs

## 6" Steel Primary Shutoffs

| Part #    | Description                              | L x W x H  |
|-----------|--|------------|
| 1033-0001 | Steel Primary With 2" Opening, (125 CFM) | 9 x 9 x 16 |
| 1034-0001 | Steel Primary With 3" Opening, (235 CFM) | 9 x 9 x 16 |



## 2" & 3" MZ Primary Shutoffs



| Part #       | Description  |
|--------------|--|
| 1162-0000 MZ | 2" Primary Shutoff , (235 CFM Capacity) , Steel Weld Collar              |
| 1162-1000 MZ | 2" Aluminium Primary Shutoff , (235 CFM Capacity) , Aluminum Weld Collar |
| 1163-0000 MZ | 3" MZ Primary Shutoff , (235 CFM Capacity) , Steel Weld Collar           |



### DIMENSIONS

|     | 2"  | 3"   |
|-----|-----|------|
| Ø   | 2"  | 3"   |
| d"  | 4"  | 6"   |
| H   | 16" | 19"  |
| h1  | 7"  | 8.5" |
| h2  | 2"  | 2.5" |
| L   | 8"  | 9.5" |
| Lbs | 11  | 19   |

### 2" & 3" PRIMARY SHUTOFF

