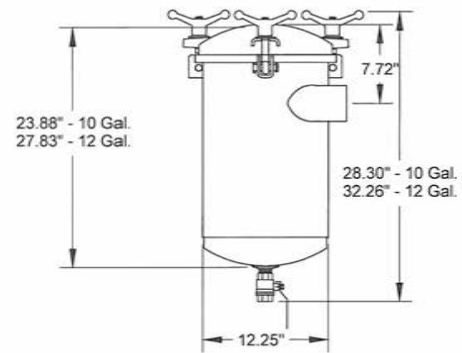
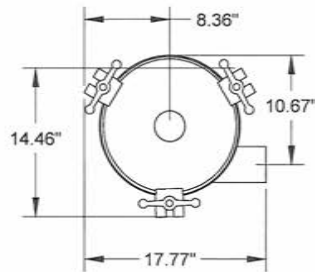


Secondary Shutoffs

10-12 Gallon Secondary Shutoff

Part #	Description	L x W x H
1008-0019	10 Gallon Secondary With 3" Opening, (385 CFM)	18 x 18 x 28
1008-0017	10 Gallon Secondary With 3" NPT, (385 CFM)	18 x 18 x 28
1008-0012	12 Gallon Secondary with 3" NPT G-Lid	
1008-0200	10 Gallon Secondary With 3" Opening, (385 CFM) With 304 Stainless Steel	
1008-0013	12 Gallon Secondary With 4" Opening, (450 CFM)	18 x 18 x 32
1008-0015	12 Gallon Secondary With 4" NPT, (450 CFM)	18 x 18 x 32



Aluminum Secondary Shutoffs

Part #	Description	L x W x H
1008-0300	10 Gallon Aluminum Secondary With 3" Hose Barb, Cast Aluminum Lid, 3" NPT On Side, (385 CFM)	20x16x27.32
1008-0304	10 Gallon Aluminum Secondary With 4" Hose Barb, Cast Aluminum Lid, 4" NPT On Side, (450 CFM)	20x16x27.32
1008-0302	10 Gallon Aluminum Secondary With Stainless Steel Dome Lid & Ball Cage With 3" Opening, (385 CFM)	20x16x27.32
1008-0306	10 Gallon Aluminum Secondary With Stainless Steel Dome Lid & Ball Cage With 4" Opening, (450 CFM)	20x16x27.32

